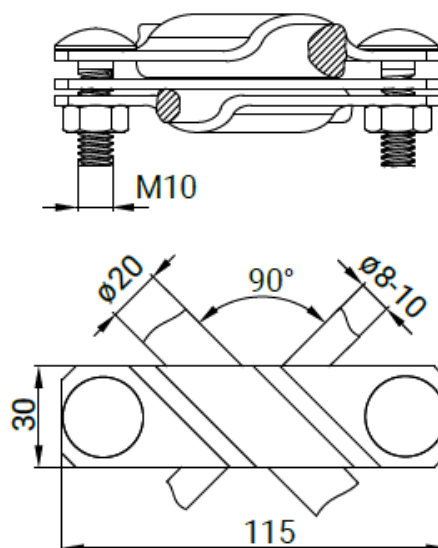


DATA SHEET

Diagonal connector for wire $\varnothing(8-10)$ mm, flat conductor ≤ 40 mm and rod $\varnothing 20$ mm StZn

Product code

112112



Technical description

Lightning conductor connector for cross connection of $\varnothing(8-10)$ mm wire, $\varnothing 20$ mm rod and ≤ 40 mm cooper. Bolted with two M10x30 locking screws..

Technical data

Material	Hot dip galvanized steel, StZn
Weight (1 unit)	0,36 kg
In accordance with the standard	PN-EN 62305
Meets the requirements of the standard	PN-EN 62561-1
Ean code	5903699800898
Customs code	83024190

Due to continuous technological development, the company reserves the right to change the technical parameters of the products.
The illustrations shown are not binding.