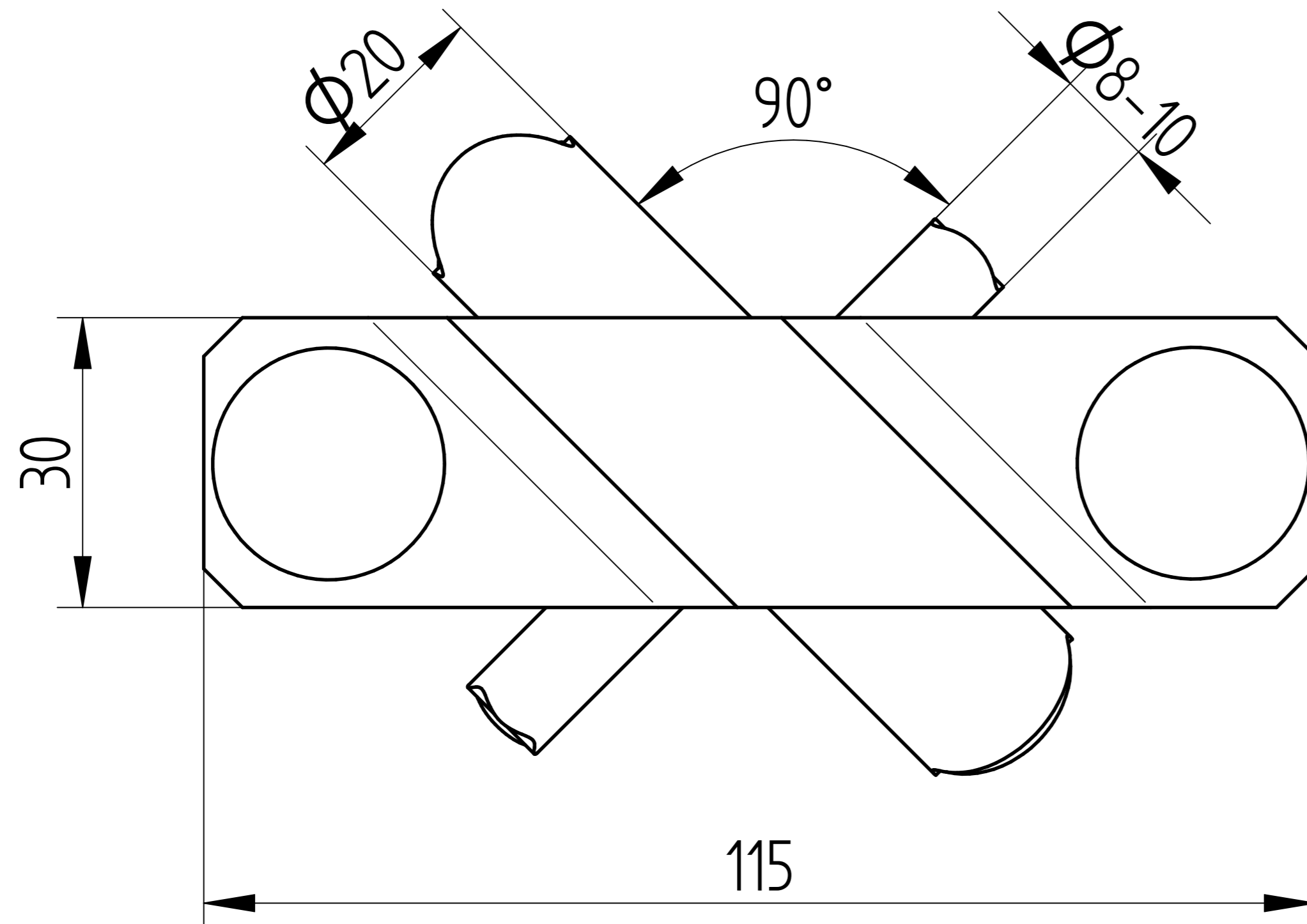
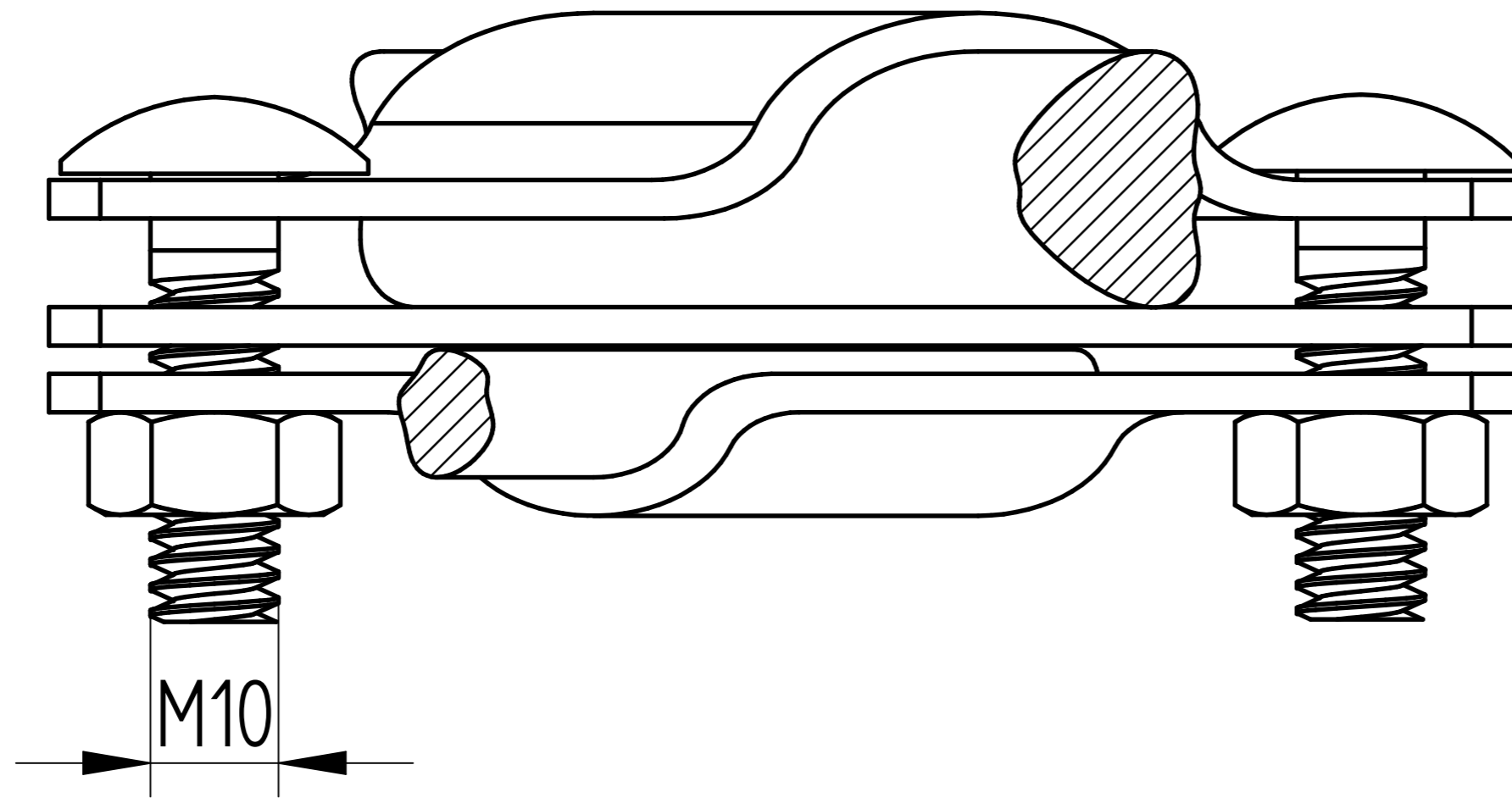


| REVISION HISTORY |             |      |          |
|------------------|-------------|------|----------|
| REV              | DESCRIPTION | DATE | APPROVED |
|                  |             |      |          |



SOLID EDGE ACADEMIC COPY

|   |         |          |                     |         |
|---|---------|----------|---------------------|---------|
|   | NAME    | DATE     | Solid Edge          |         |
| DRAWN   | Gromtor | 08/05/21 |                     |         |
| CHECKED   |         |          |                     |         |
| ENG APPR  |         |          |                     |         |
| MGR APPR  |         |          | TITLE               |         |
| UNLESS OTHERWISE SPECIFIED<br>DIMENSIONS ARE IN MILLIMETERS<br>ANGLES ±X.X°<br>2 PL ±X.XX 3 PL ±X.XXX |         |          | SIZE<br>A2          | DWG NO  |
|   |         |          | FILE NAME: 1121.dft | REV     |
|   |         |          | SCALE:              | WEIGHT: |
|   |         |          | SHEET 1 OF 1        |         |