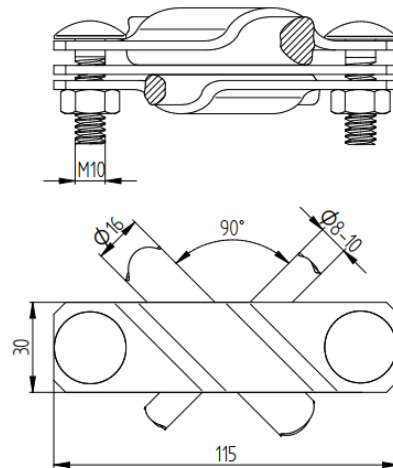


## DATA SHEET

### Diagonal connector for wire $\varnothing(8-10)$ mm, flat conductor $\leq 40$ mm and rod $\varnothing 16$ mm

#### Product code

112212



#### Technical description

Lightning conductor connector for cross connection of  $\varnothing(8-10)$ mm wire,  $\varnothing 16$ mm rod and  $\leq 40$ mm cooper. Bolted with two M10x30 locking screws.

#### Technical data

Material	Hot dip galvanized steel, StZn
Weight (1 unit)	0,38 kg
In accordance with the standard	PN-EN-62305
Meets the requirements of the standard	PN-EN 62561-1
Ean code	5903699800928
Customs code	83024190

Due to continuous technological development, the company reserves the right to change the technical parameters of the products.  
The illustrations shown are not binding.