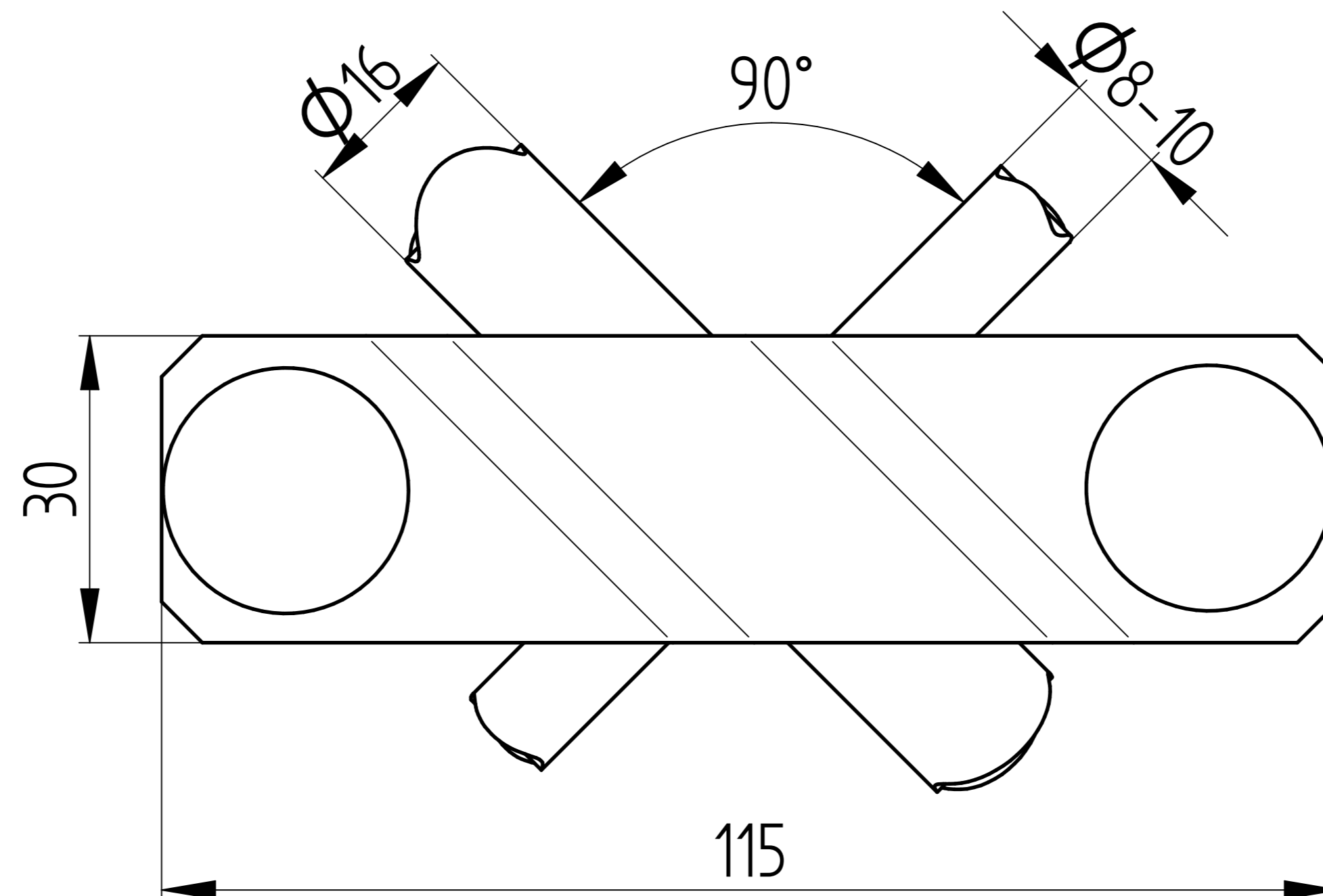
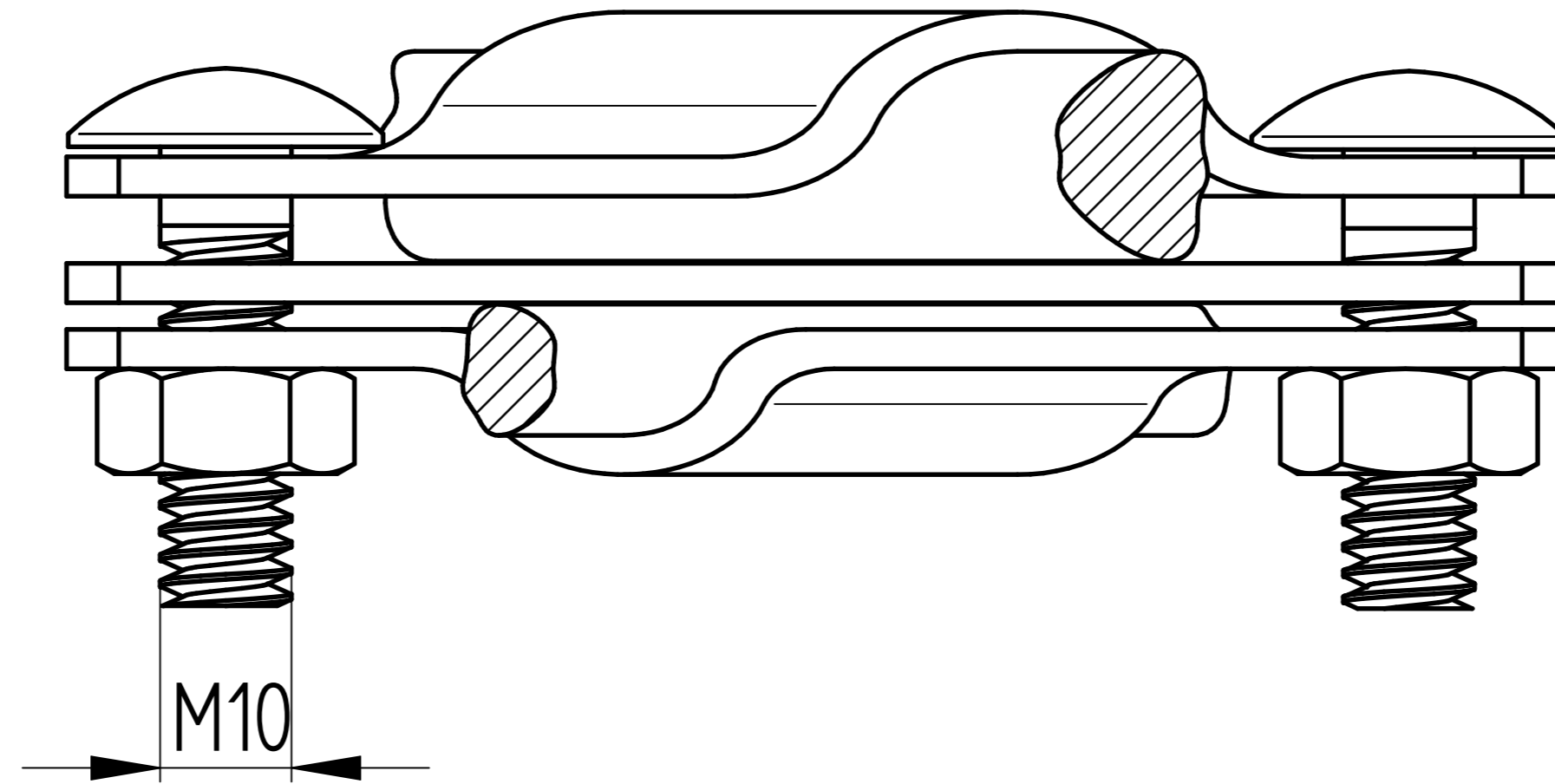


| REVISION HISTORY | | | |
|------------------|-------------|------|----------|
| REV | DESCRIPTION | DATE | APPROVED |
| | | | |



| | | | | |
|--|---------|----------|----------------------|------------|
| | NAME | DATE | Solid Edge | |
| DRAWN | Gromtor | 08/05/21 | TITLE | |
| CHECKED | | | | |
| ENG APPR | | | | |
| MGR APPR | | | | |
| UNLESS OTHERWISE SPECIFIED DIMENSIONS ARE IN MILLIMETERS ANGLES ±XX° 2 PL ±XXX 3 PL ±XXXX | | | SIZE A2 | DWG NO |
| | | | FILE NAME: 1122_.dft | REV |
| | | | SCALE: | WEIGHT: |
| | | | SHEET 1 OF 1 | |

SOLID EDGE ACADEMIC COPY