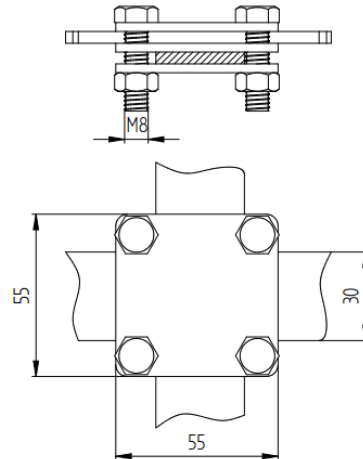
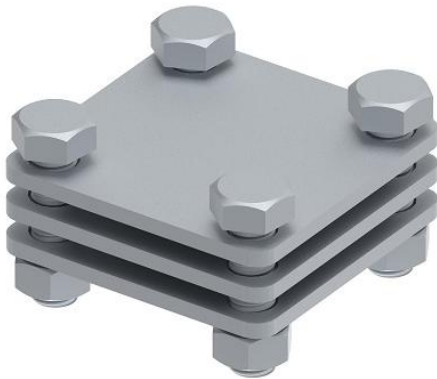


DATA SHEET

Cross-connector L-55 with intermediate plate for flat conductor

Product code

116112



Technical description

Connector with spacer for cross and T-type connections. The connector is used for cooper of width $\leq 30\text{mm}$. Mounted using 4 pcs of M8x25 hexagon screws. Maximum lightning current carrying capacity 50kA.

Technical data

Material	Hot dip galvanized steel, StZn
Weight (1 unit)	0,28 kg
In accordance with the standard	PN-EN-62305-3
Meets the requirements of the standard	PN-EN 62561-1
Ean code	5903699801178
Customs code	83024190

Due to continuous technological development, the company reserves the right to change the technical parameters of the products.
The illustrations shown are not binding.