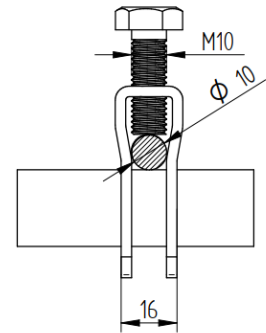
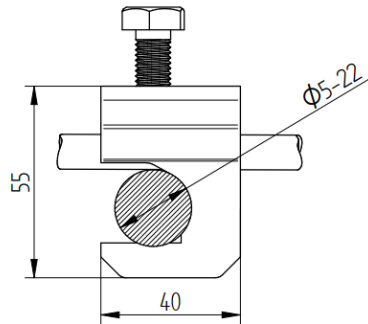


## DATA SHEET

### Cross-connector for rebar and wire

#### Product code

121112



#### Technical description

Connector for the connection of  $\varnothing(5-22)$ mm rebar to  $\leq 10$ mm wire. Bolted with a M10x30 hexagon head screw.

#### Technical data

<b>Material</b>	Hot dip galvanized steel, StZn
<b>Weight (1 unit)</b>	0,12 kg
<b>In accordance with the standard</b>	PN-EN-62305-3
<b>Meets the requirements of the standard</b>	PN-EN 62561-1
<b>Ean code</b>	5903699801437
<b>Customs code</b>	83024190

Due to continuous technological development, the company reserves the right to change the technical parameters of the products.  
The illustrations shown are not binding.