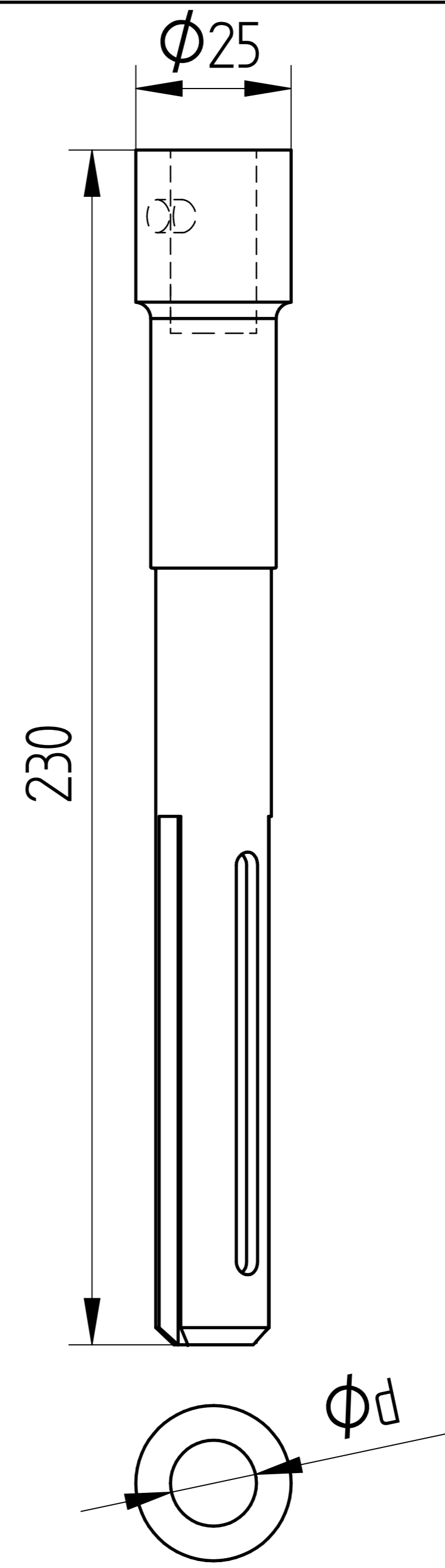


REVISION HISTORY			
REV	DESCRIPTION	DATE	APPROVED



	NAME	DATE	Solid Edge		
DRAWN	Gromtor	09/07/22			
CHECKED			TITLE		
ENG APPR					
MGR APPR					
UNLESS OTHERWISE SPECIFIED DIMENSIONS ARE IN MILLIMETERS ANGLES ±XX° 2 PL ±XXX 3 PL ±XXXX			SIZE A2	DWG NO	REV
			FILE NAME: 222411.dft		
			SCALE:	WEIGHT:	SHEET 1 OF 1

SOLID EDGE ACADEMIC COPY