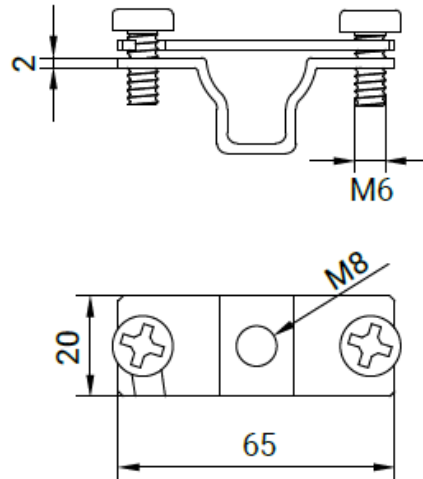
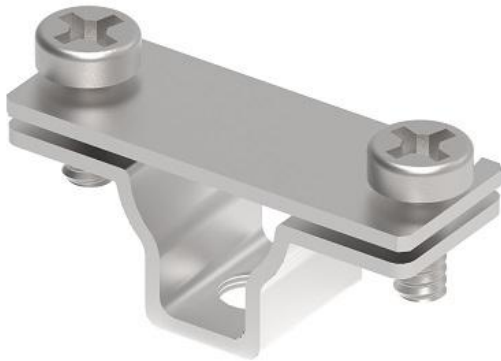


DATA SHEET

Holder for flat conductor screw-on

Product code

281215



Technical description

Mounting of cooper with cross section $\leq 30\text{mm}$. Bracket with mounting hole M8. Bolted using two M6x16 hexagon socket head cap screws.

Technical data

Material	Stainless steel, Inox V4A
Weight (1 unit)	0,06 kg
In accordance with the standard	EN 62305
Meets the requirements of the standard	EN 62561-4
Ean code	5903699805626
Customs code	83024190

Due to continuous technological development, the company reserves the right to change the technical parameters of the products.
The illustrations shown are not binding.