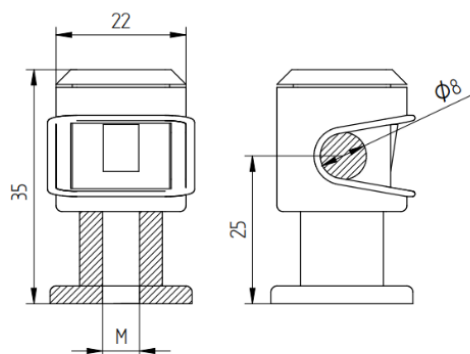


DATA SHEET

Holder for wire grey plastic $\varnothing 8\text{mm}$

Product code

310118



Technical description

Plastic holder for $\varnothing 8\text{mm}$ wire in RAL 7016 with mounting hole M6. Weather and UV resistant.

Technical data

Material	Plastic, PI
Weight (1 unit)	0,008 kg
In accordance with the standard	EN 62305
Meets the requirements of the standard	EN 62561-4
Ean code	5903699807309
Customs code	83024190

Due to continuous technological development, the company reserves the right to change the technical parameters of the products.
The illustrations shown are not binding.