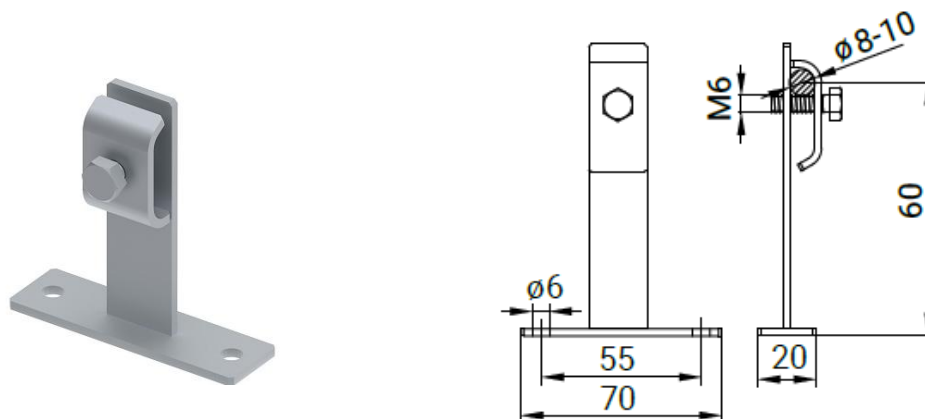


## DATA SHEET

### Holder for wire on base L-60mm

#### Product code

313012



#### Technical description

Screw-on holder for wire  $\varnothing(8-10)$ mm. Installation of wire to a wall or structure with mounting hole M6.

#### Technical data

<b>Material</b>	Hot dip galvanized steel, StZn
<b>Weight (1 unit)</b>	0,08 kg
<b>In accordance with the standard</b>	EN-62305
<b>Meets the requirements of the standard</b>	EN 62561-4
<b>Ean code</b>	5903699802908
<b>Customs code</b>	83024190

Due to continuous technological development, the company reserves the right to change the technical parameters of the products.  
The illustrations shown are not binding.