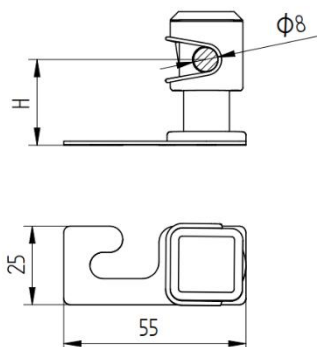


DATA SHEET

Seam clamp for wire

Product code

404218



Technical description

Plastic holder for $\phi 8$ mm wire with hook. For installation on pitched roofs covered with trapezoidal sheet, tile or felt shingles. Weather and UV resistant.

Technical data

Material	Plastic, PI; Stainless steel, Inox V2A
Weight (1 unit)	0,02 kg
In accordance with the standard	EN-62305
Meets the requirements of the standard	EN 62561-4
Ean code	5903699803493
Customs code	83024190

Due to continuous technological development, the company reserves the right to change the technical parameters of the products.
The illustrations shown are not binding.