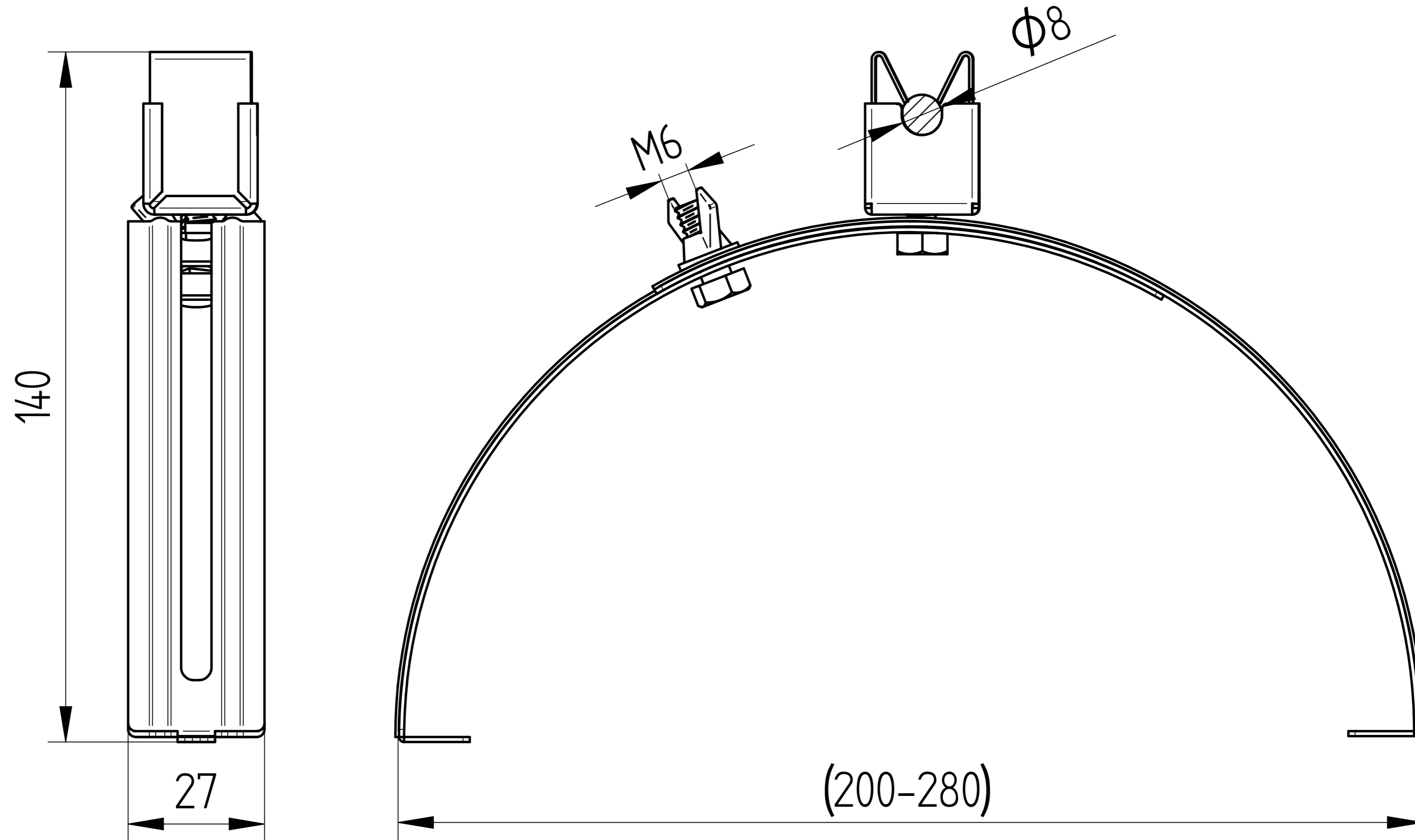


REVISION HISTORY			
REV	DESCRIPTION	DATE	APPROVED



SOLID EDGE ACADEMIC COPY

	NAME	DATE	Solid Edge		
DRAWN	Gromtor	08/31/22			
CHECKED			TITLE		
ENG APPR					
MGR APPR			SIZE	DWG NO	REV
UNLESS OTHERWISE SPECIFIED DIMENSIONS ARE IN MILLIMETERS ANGLES ±XX° 2 PL ±XXX 3 PL ±XXXX			A2		
			FILE NAME: 407112.dft	SCALE:	WEIGHT:
					SHEET 1 OF 1