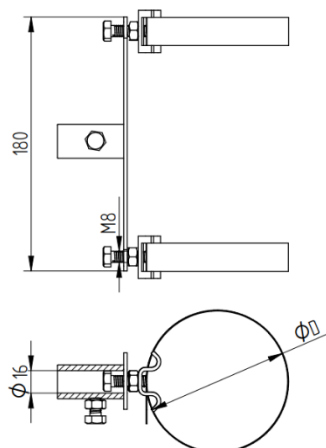


DATA SHEET

Pipe clamp for separation rod $\varnothing 16\text{mm}$

Product code

593212



Technical description

Pipe clamp for installation separation rod on a $\varnothing 200\text{mm}$ round profile.

Technical data

Material	Hot dip galvanized steel, StZn
Weight (1 unit)	0,36 kg
In accordance with the standard	EN-62305
Meets the requirements of the standard	EN 62561-8
Ean code	5903699804773
Customs code	74111010

Due to continuous technological development, the company reserves the right to change the technical parameters of the products.
The illustrations shown are not binding.