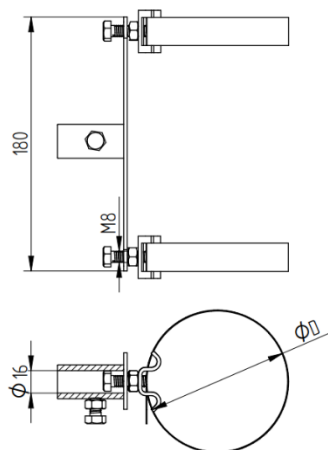


## DATA SHEET

### Pipe clamp for separation rod $\varnothing 16\text{mm}$

#### Product code

593312



#### Technical description

Pipe clamp for installation separation rod on a  $\varnothing 300\text{mm}$  round profile.

#### Technical data

<b>Material</b>	Hot dip galvanized steel, StZn
<b>Weight (1 unit)</b>	0,36 kg
<b>In accordance with the standard</b>	EN-62305
<b>Meets the requirements of the standard</b>	EN 62561-8
<b>Ean code</b>	5903699804780
<b>Customs code</b>	74111010

Due to continuous technological development, the company reserves the right to change the technical parameters of the products.  
The illustrations shown are not binding.