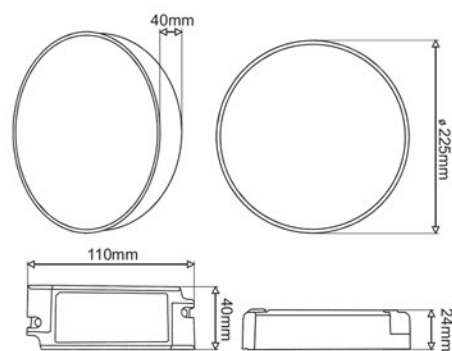
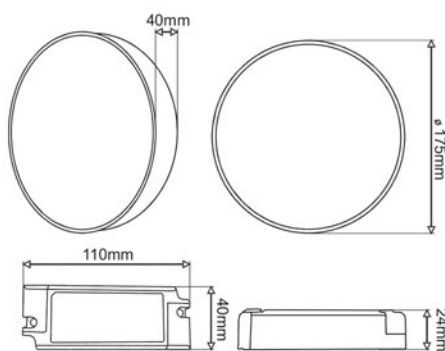
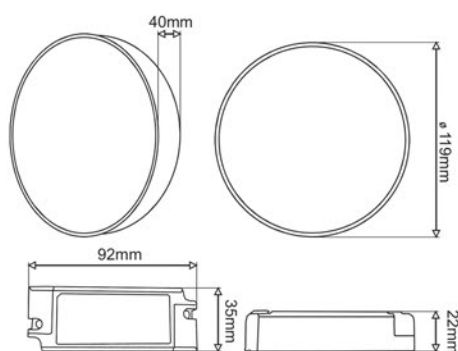


**DOWNLIGHT NATYNKOWE OKRĄGŁE**  
Round Surface Mount Downlights



Folder	Barcode	lm	W	V	A	PF	CRI	IP	Beam	Color	Height	Depth	Beam Spread	Temp	Temp Range
PF028399	5908293928399	1440	16W	85-265V AC	300mA	>0,9	> 80	20	120°	4000K	2835	40mm	Ø119x40	95%<1s	30000 ≥35000 -10/+40
PF028405	5908293928405	2160	24W	85-265V AC	300mA	>0,9	> 80	20	120°	4000K	2835	40mm	Ø175x40	95%<1s	30000 ≥35000 -10/+40
PF028412	5908293928412	2850	30W	85-265V AC	300mA	>0,9	> 80	20	120°	4000K	2835	40mm	Ø225x40	95%<1s	30000 ≥35000 -10/+40
PF029655	5908293929655	1440	16W	85-265V AC	300mA	>0,9	> 80	20	120°	3000K	2835	40mm	Ø119x40	95%<1s	30000 ≥35000 -10/+40
PF029662	5908293929662	2160	24W	85-265V AC	300mA	>0,9	> 80	20	120°	3000K	2835	40mm	Ø175x40	95%<1s	30000 ≥35000 -10/+40
PF029679	5908293929679	2850	30W	85-265V AC	300mA	>0,9	> 80	20	120°	3000K	2835	40mm	Ø225x40	95%<1s	30000 ≥35000 -10/+40

